

**2m/70cm DUAL BAND HIGH PERFORMANCE, HIGH POWER RATING.  
 RADIALLESS MOBILE GAIN WHIP ANTENNA  
 REPEATER FREQUENCY COMPATIBLE  
 OMNIDIRECTIONALLY TILTABLE WHIP ELEMENT STRUCTURE.**

**DIAMOND**  
 ANTENNA

# NR770HNMO

## OPERATING INSTRUCTIONS

### Description

1. Since the antenna employs radialless structure on both 2m and 70cm bands, it works well at temporary fixed station, bicycle or with handheld transceiver.
2. Omnidirectionally tiltable whip structure enables the antenna to be tilted for any direction with a touch of your finger. This structure eliminates troublesome antenna detachment work when your car is parked in a garage.
3. The antenna covers entire 70cm band including repeater input/output frequencies.
4. The antenna is designed to go well with the shape of contemporary car design.

### Installation

Since the NR770HNMO employs radialless structure on both 2m and 70cm bands, it can be installed at virtually any place on your car. In any case use DIAMOND's genuine gutter or trunk rid mount bracket or magnetic base which is available at major ham shops for maximum safety.

### To tilt the antenna

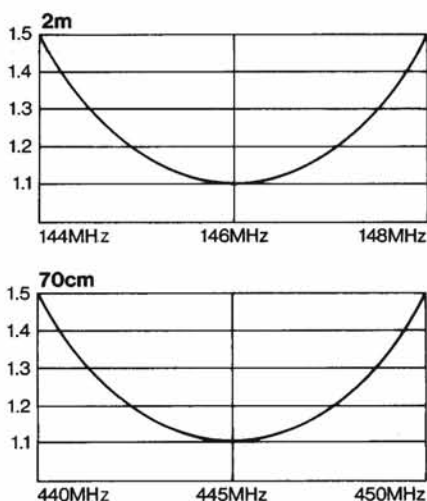
If the antenna has to be tilted in order to park the car in a garage, pull the antenna up at tiltable whip structure section and incline it for desired direction. Be sure not to drive the car with the antenna tilted.

### Note

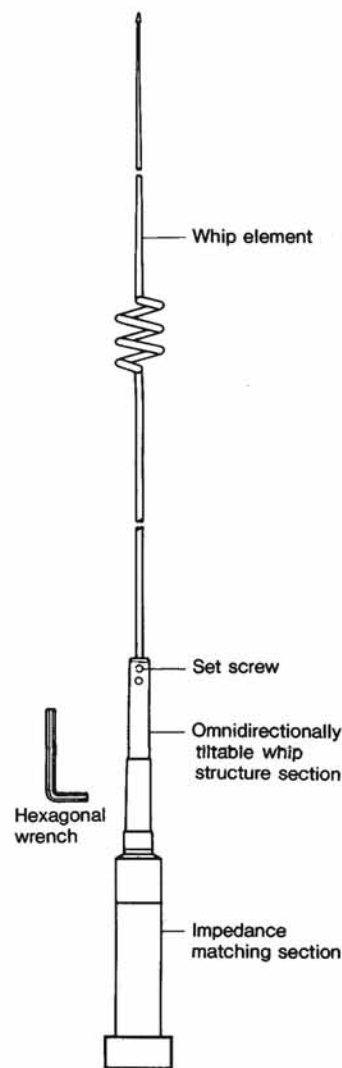
The NR770HNMO employs DC ground structure so that whip element and ground section (outer shell of the impedance matching section) are shortcircuited, and center conductor of the feedpoint connector and whip element are isolated.

Since those set screws on whip element holder section may be loosened due to the vibration during driving, they have to be refastened from time to time after several drives especially when the antenna is right off from the package.

### VSWR chart



### Part name



### Specifications

Gain	3.0 dB (2m) 5.5 dB (70cm)
Max. power rating	200W (Sum of both bands if operated simultaneously)
Impedance	50ohms
VSWR	Less than 1.5 : 1
Length	0.97m (38.2")
Weight	210g (0.46 lbs.)
Connector	NMO
Type	1/2 wave radialless gain whip antenna (2m) 5/8 wave two-element radialless gain whip antenna (70cm)