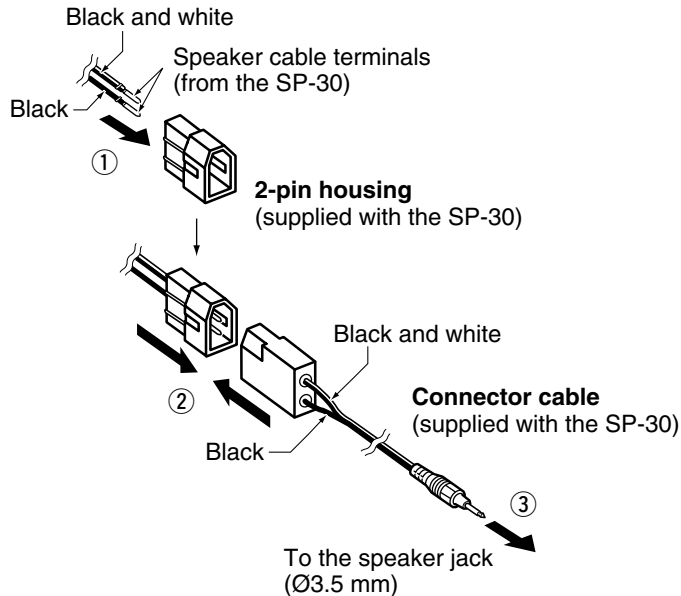


CONNECTIONS

When you connect the SP-30 to the transceiver, the following connections **MUST** be made.

To the speaker jack (ø3.5 mm)

- ① Insert the speaker cable terminals securely into each slot of the 2-pin housing (supplied with the SP-30).
- ② Connect the housing to the connector cable (supplied with the SP-30).
- ③ Connect the connector cable to the transceiver's speaker jack.



To the speaker connector

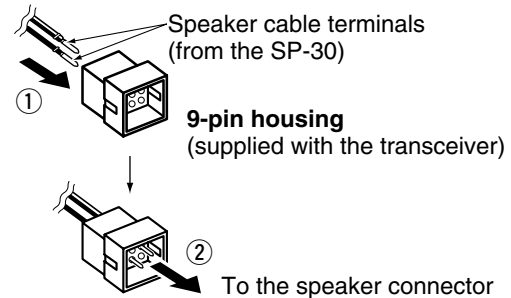
Insert the speaker cable terminals securely into each slot of the housing, according to the intended use of the SP-30.

See the transceiver's instruction manual for the speaker connector information.

○ To the IC-F9511HT

- When you want to listen to received audio, connect the speaker cable terminals to [RX SP1] and [RX SP2].
- When you want to use the SP-30 as a public-address speaker, connect the speaker cable terminals to [PS1] and [PS2].

- ① Insert the speaker cable terminals securely into each appropriate slot of the 9-pin housing (supplied with the transceiver).
 - The speaker cable polarity makes no difference for this connection.
- ② When finished, plug the housing into the transceiver's speaker connector.



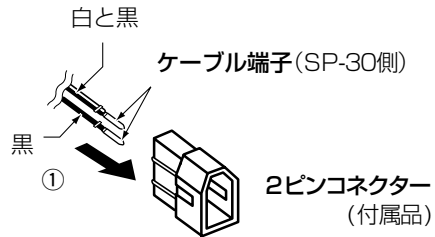
接続のしかた

本製品と無線機を接続するときは、以下の手順で接続してください。

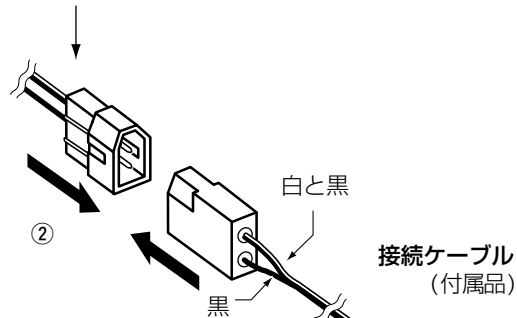
- ① SP-30から出ているケーブル端子を付属の2ピンコネクターに挿入します。

【ご注意】

ケーブルの極性(色)に注意して挿入してください。
また、ケーブル端子をしっかりと奥まで挿入し、
抜けないことを確認してください。



- ② 付属の接続ケーブルを接続します。



- ③ 接続ケーブルを無線機の外部スピーカージャックに接続します。

無線機の外部スピーカージャックへ
(ϕ 3.5mm)

③

This diagram illustrates the third step. It shows the 3.5mm jack of the connection cable being inserted into the external speaker jack of the radio. An arrow labeled '③' points to the jack.